

SINGER

11W8

Registered in U. S. A.

594 RIVER STREET
TROY, N. Y.
594 RIVER STREET
TROY, N. Y.

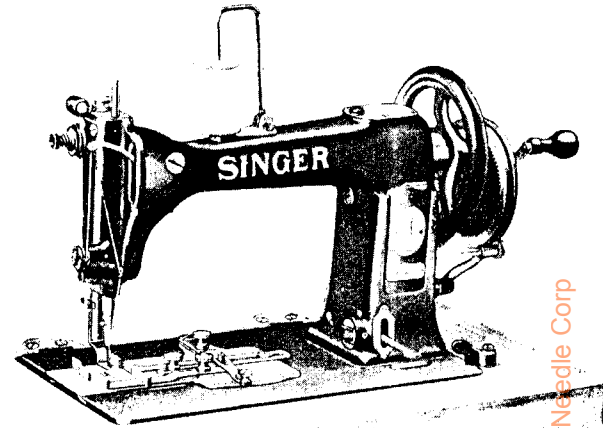
SINGER

11w8



THE SINGER MANUFACTURING COMPANY

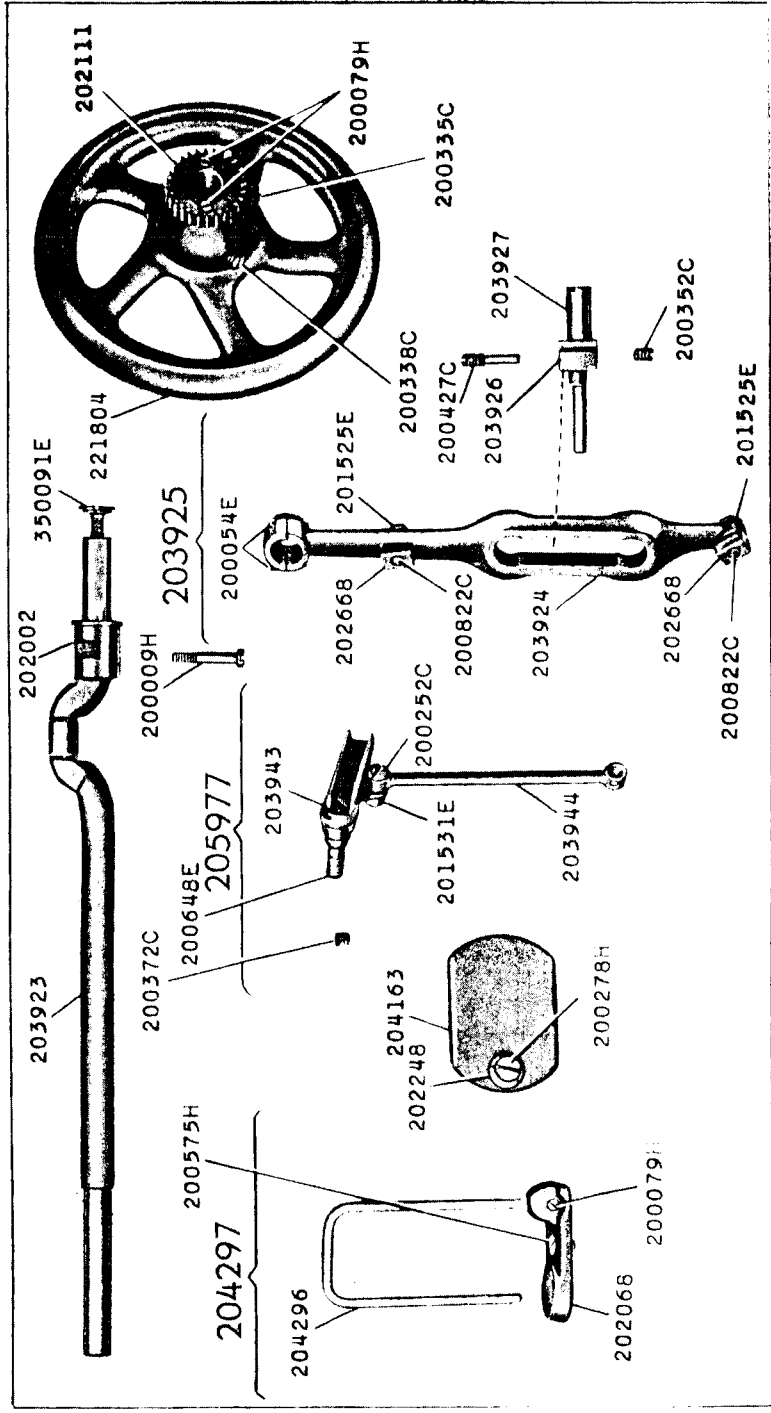
594 RIVER STREET
TROY, N. Y.



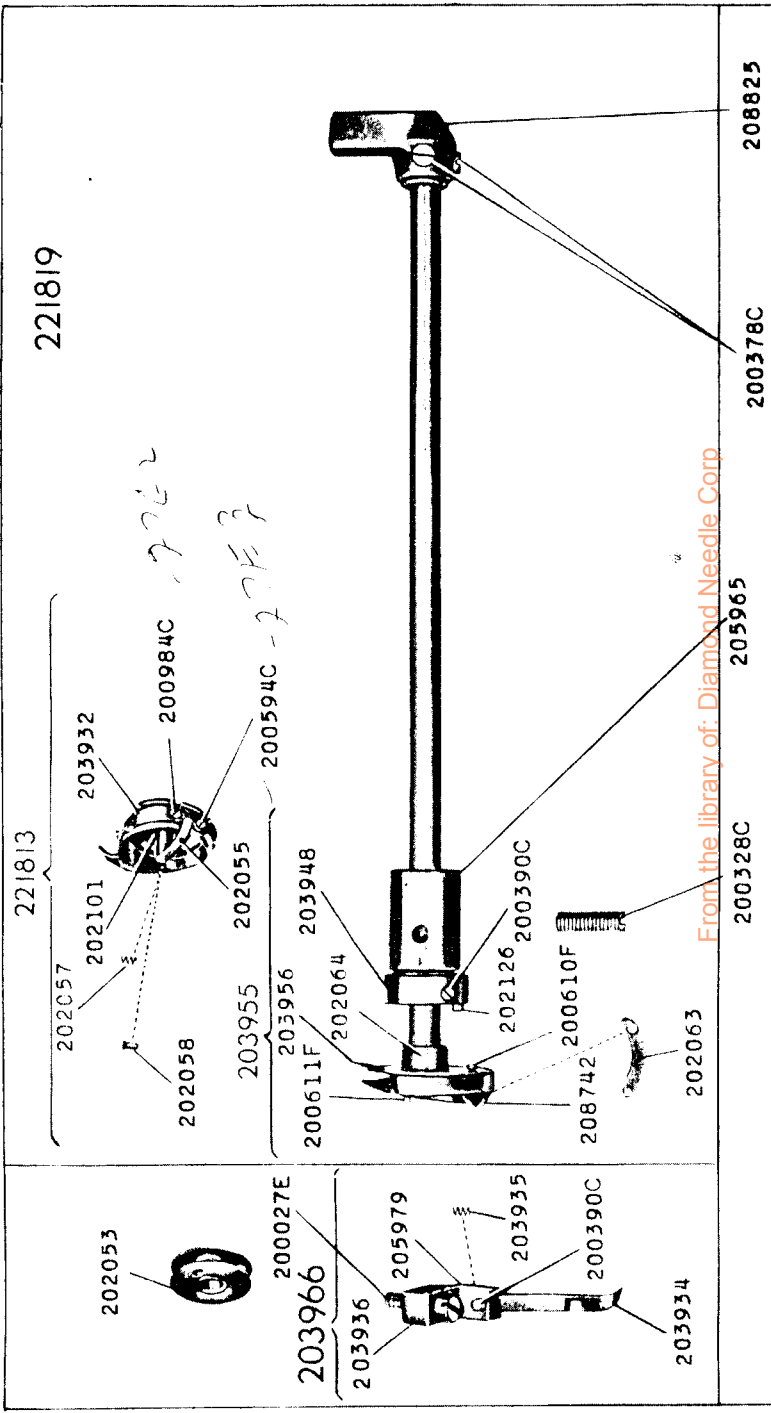
From the library of: Diamond Needle Corp

Copyright, U. S. A., 1945
by The Singer Manufacturing Co.
All Rights Reserved for all Countries

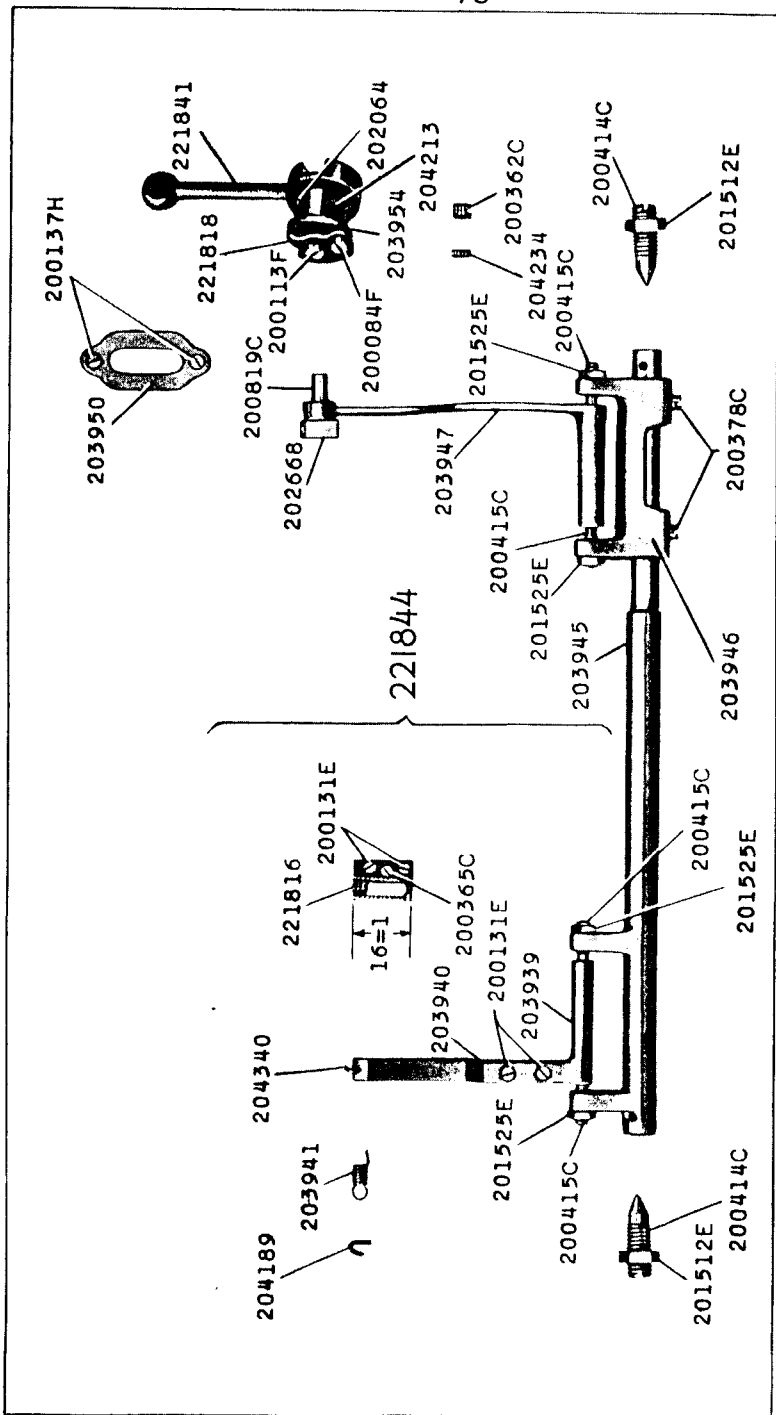
14084 - 1/3



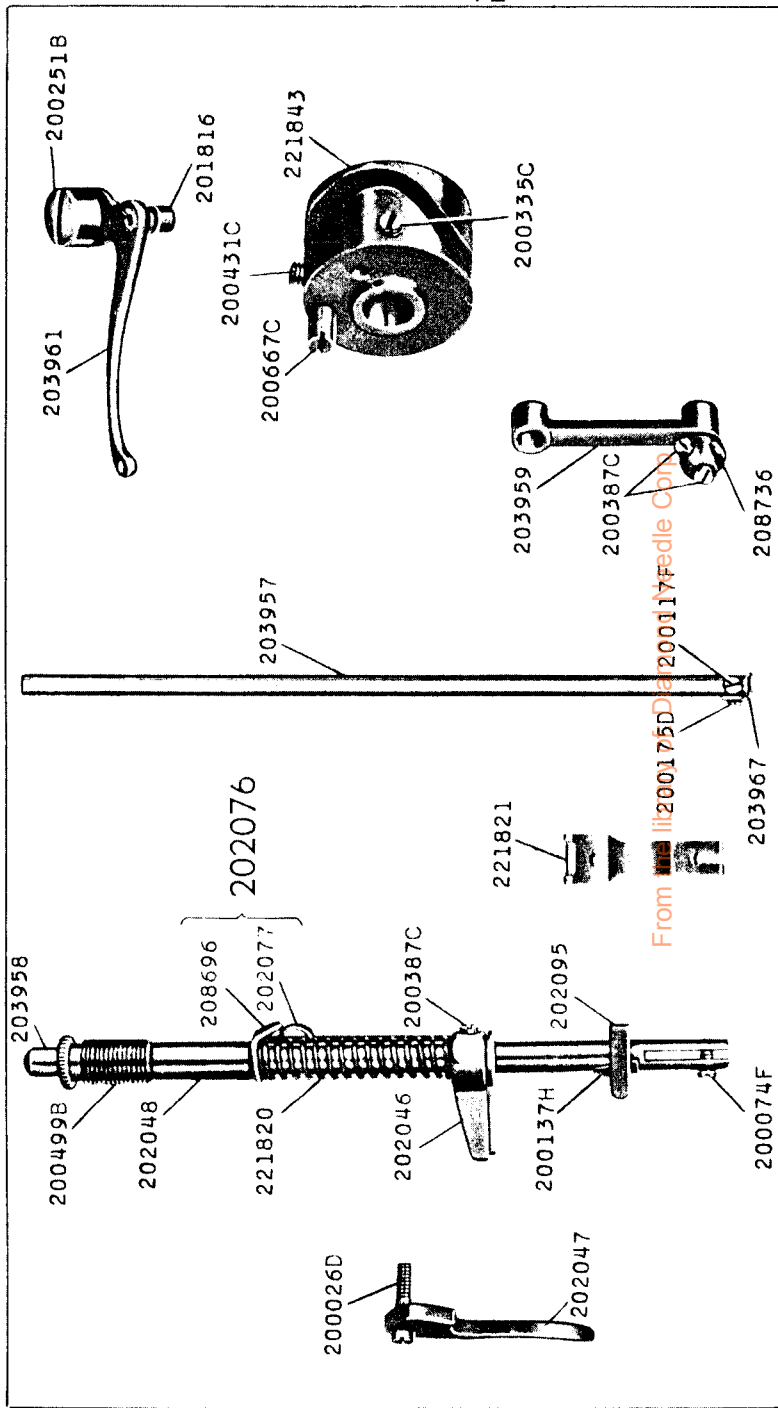
14085 - 1/2

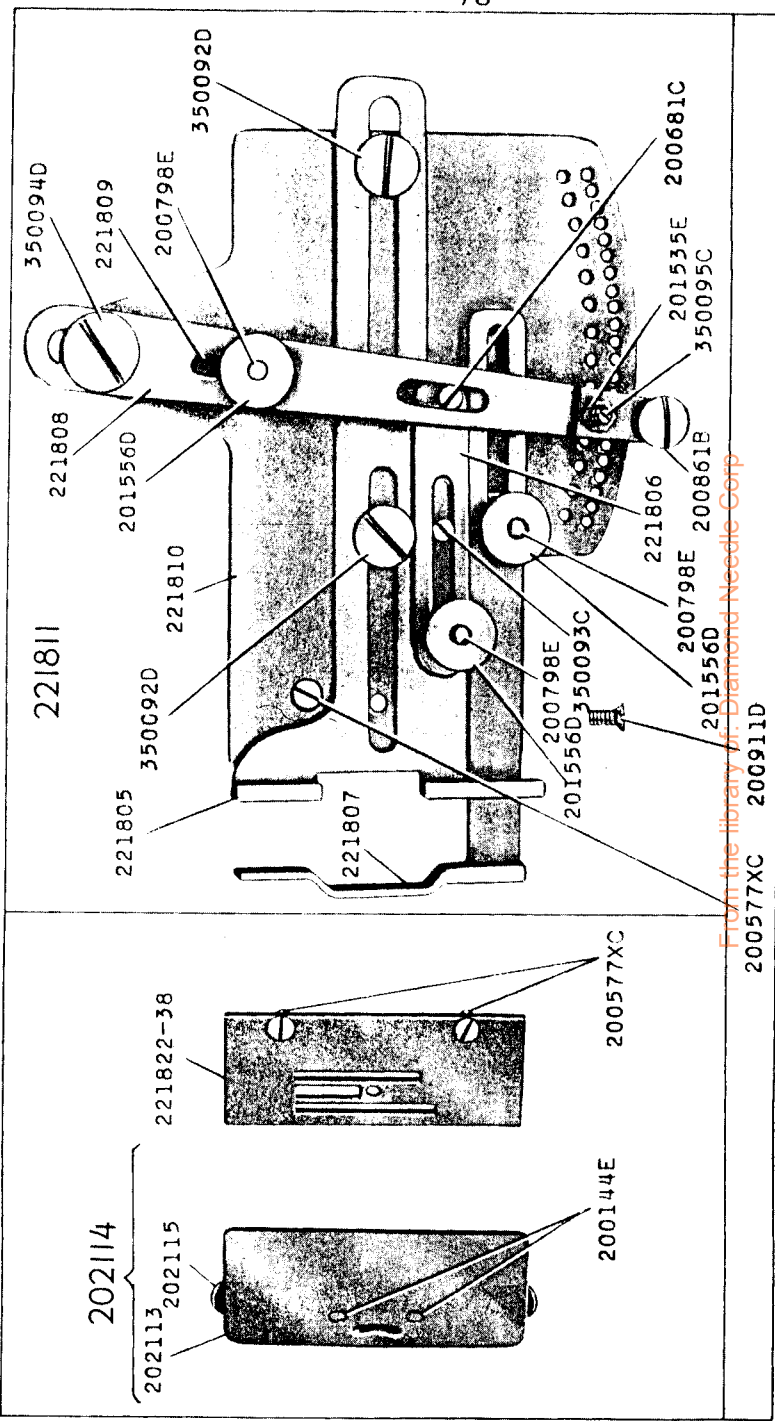
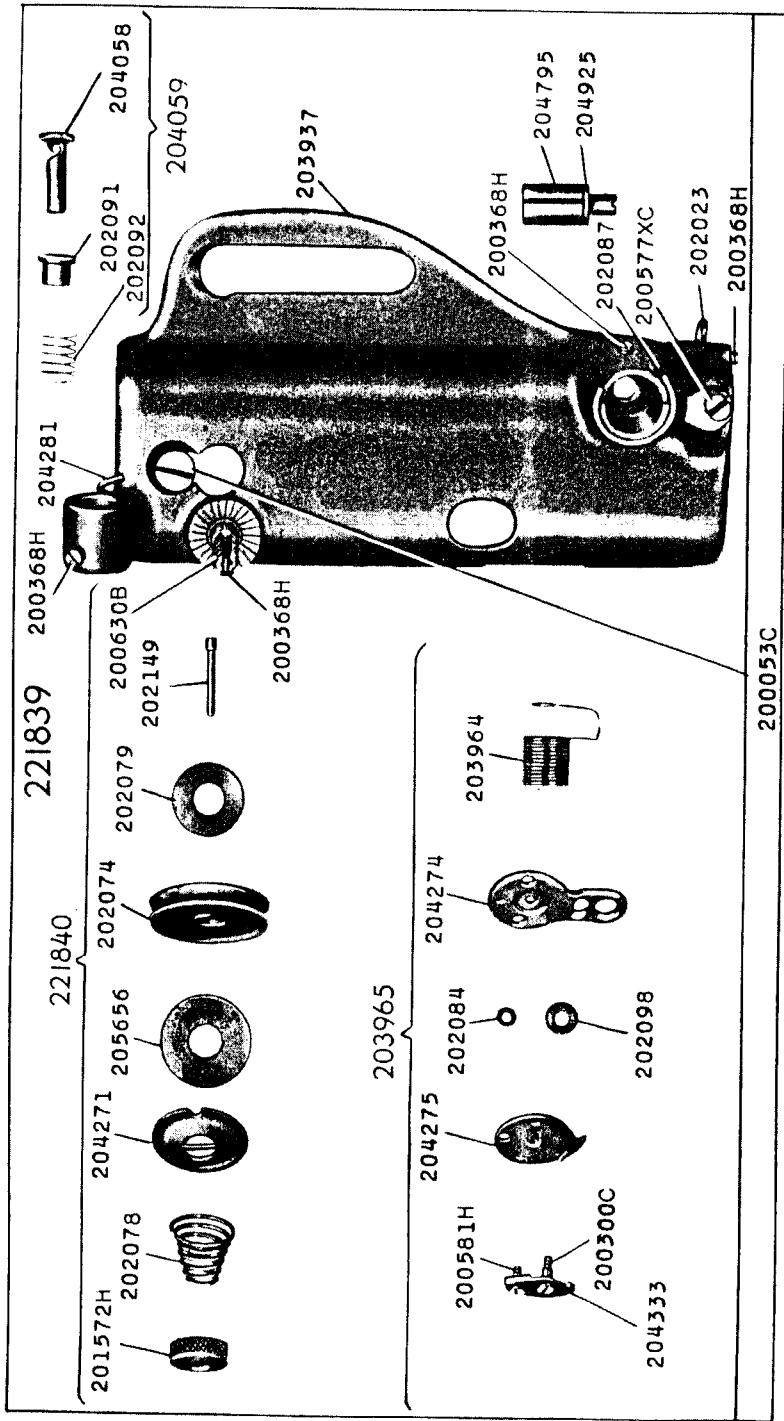


14086 - 3/8



14087 - 1/2



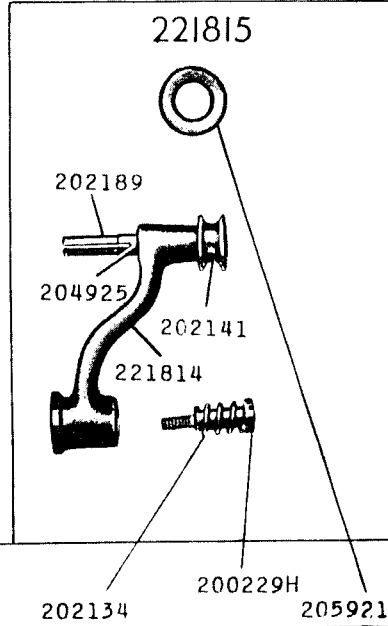
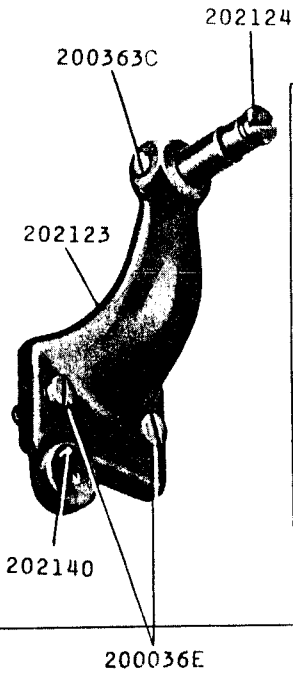
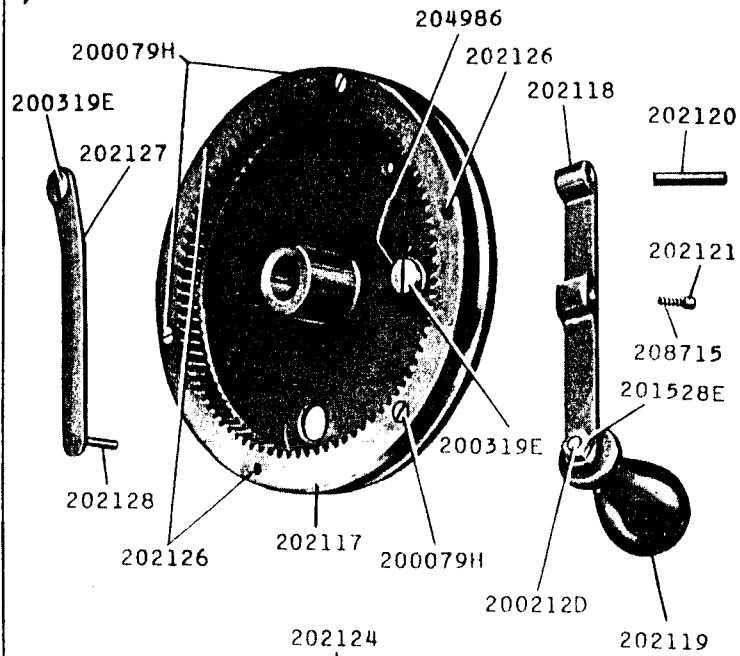


From the library of Diamond Needle Corp

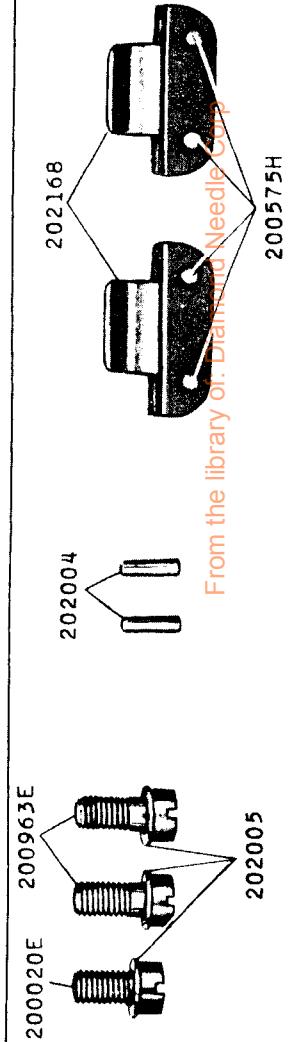
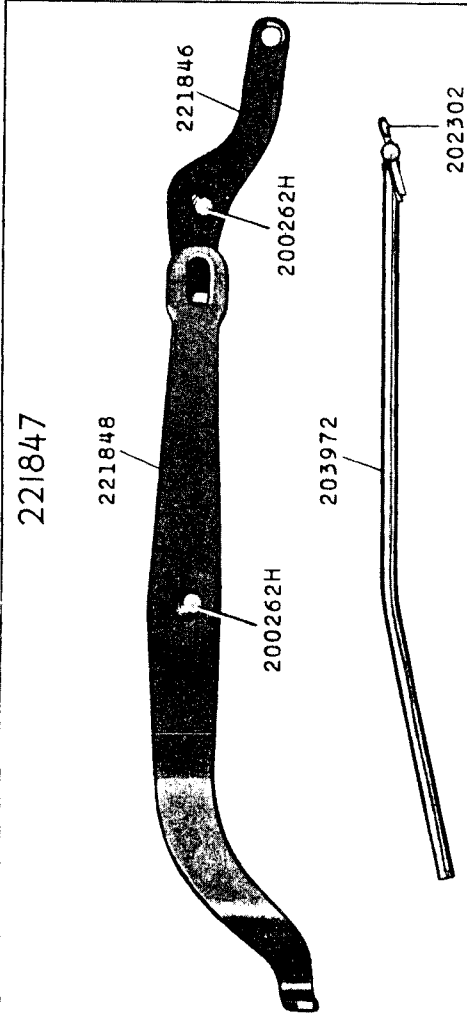
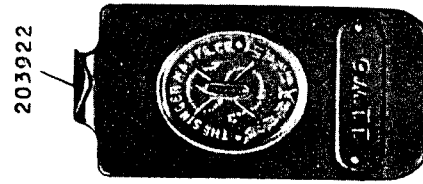
14090 - 1/2

205949

202130

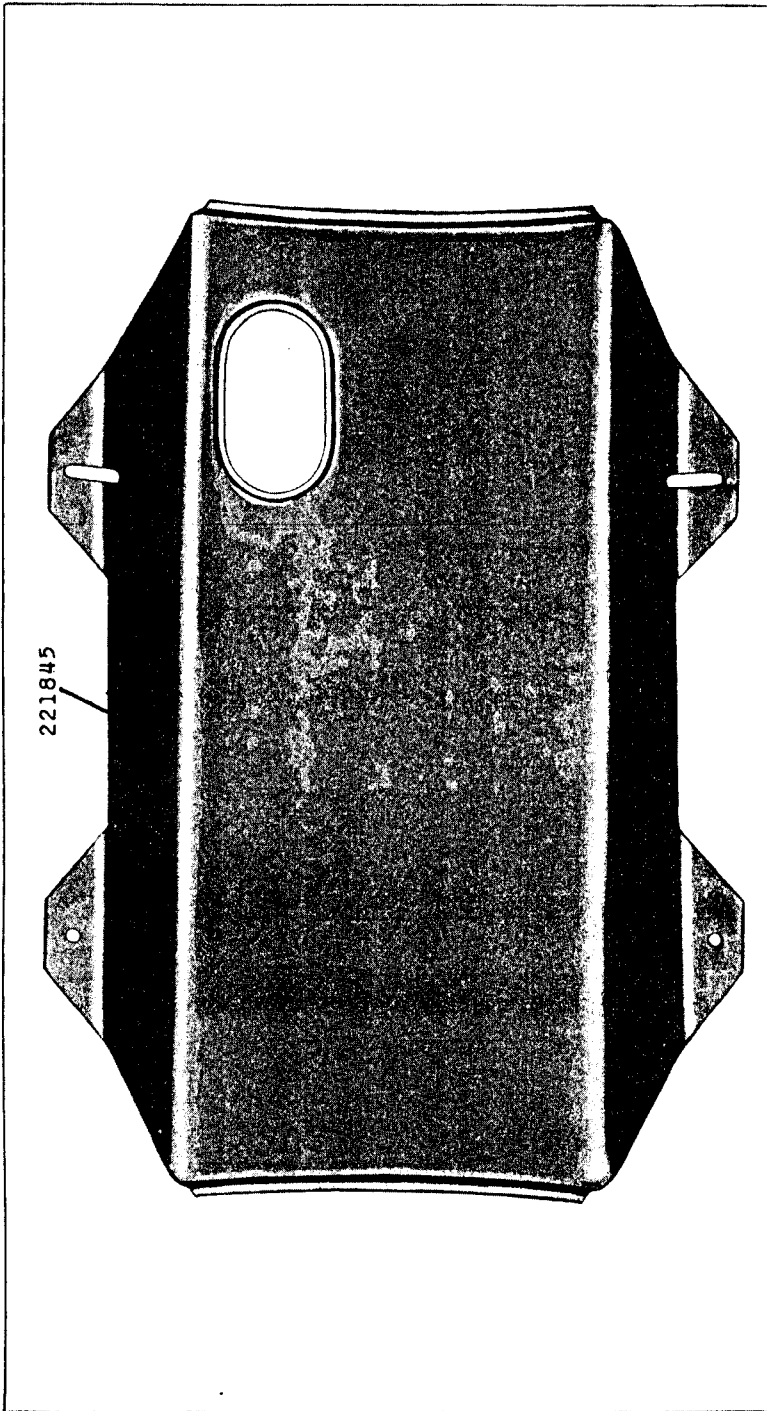


14091 - 1/2



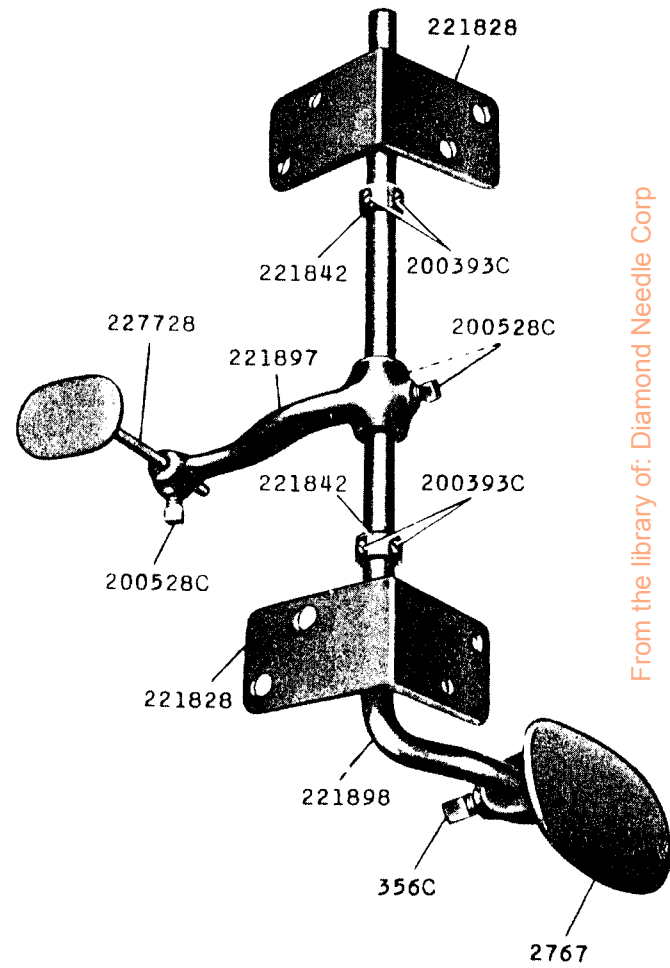
From the library of: Diamond Needle Corp

14092 - 3/8



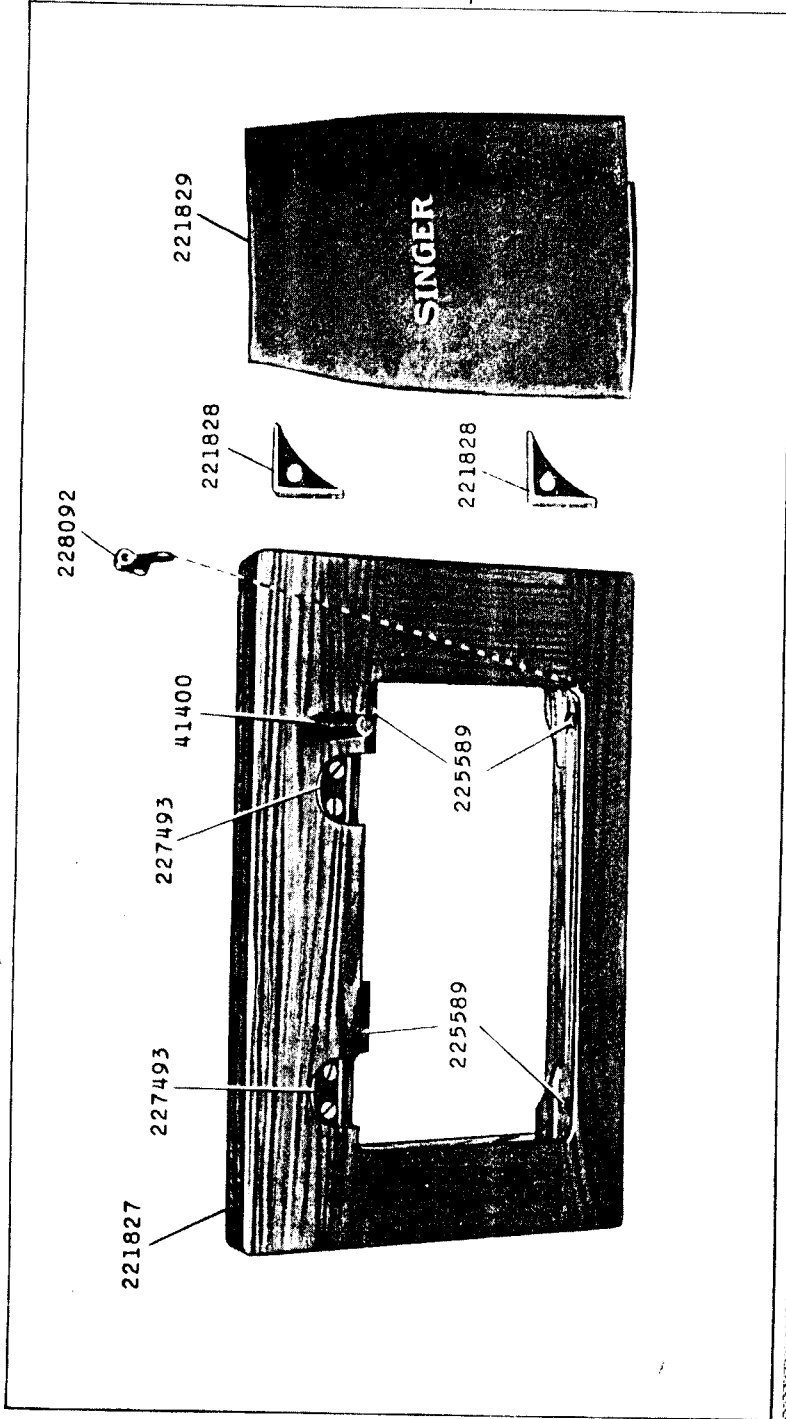
14095 - 3/8

221899

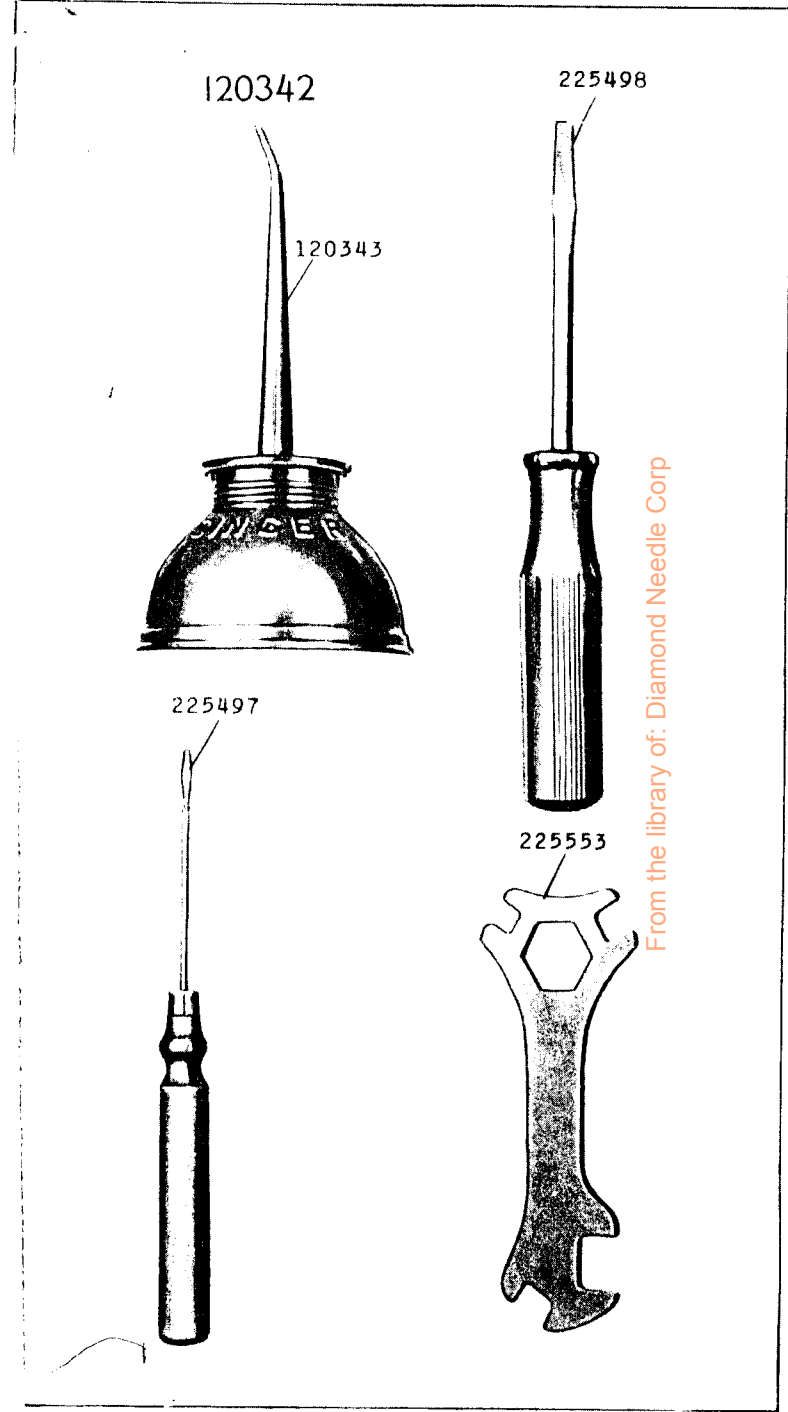


From the library of: Diamond Needle Corp

14096 - 1/5



14097 - 1/2



From the library of: Diamond Needle Corp